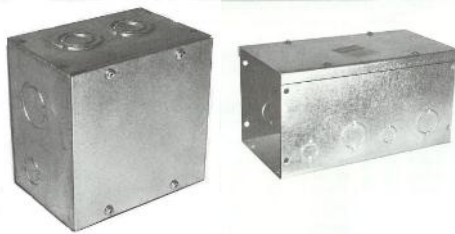


K & S METAL ENCLOSURES



ELECTRICAL BOX AND PANEL MFG. CO., I NC

873 EAST BALTIMORE PIKE #451

KENNETT SQUARE PA 19348

PHONE: (610) 998-1370 FAX: (610) 998-1379

WWW.KSMETALENCLOSURES.COM



Phone 610-998-1370 Fax 610-998-1379

K & S METAL ENCLOSURES

873 EAST BALTIMORE PIKE #451
KENNETT SQUARE , PA 19348

Phone: 610-998-1370

Fax: 610-998-1379

www.ksmetalenclosures.com



Table of Contents

Ordering and Product Information	Page 4
NEMA 1 Screw Cover and Hinge Cover Enclosures	Page 6
NEMA 1 Screw Cover Wireway	Page 12
Type 3 Weather Proof Enclosures	Page 16
Type 3R Rain Tight Enclosures	Page 18
Current Transformer Cabinets	Page 20

MANUFACTURING IN THE UNITED STATES FOR OVER 60 YEARS

TERMS AND CONDITIONS

Galvanized boxes in stock for immediate delivery.

No return goods will be accepted unless authorized by the factory. Items returned to factory will incur a 30% restocking charge.

Special sizes and types of enclosures can be fabricated to the customers' specifications. Contact factory for quote. A minimum charge of \$160 applies on one special box. Special or made to order enclosures cannot be canceled and are not returnable.

For shipments \$1000 net and over are prepaid and fully allowed.

NOTES OF SPECIAL INTEREST

When ordering boxes and cabinets, state the size as follows: Height, Width, Depth.

To expedite production please include the following information when ordering special boxes:

- Type- Hinge Cover (HC) or Screw Cover (SC)
- Mounting- Flush or Surface
- Knockouts- With (KO) or Without (NK)
- Hinged Side—First Dimension
- Width- Second Dimension
- Depth- Third Dimension
- Hardware- Specific locking or non-locking catch.
- Boxes greater than 8" or heavier than code gauge are normally furnished without knockouts, unless specified.

National Electrical Code Extract

NEMA Standards Publication 250-2008

NEMA 1—Enclosures are constructed for indoor use to provide protection to personnel against incidental contact with the enclosed equipment; to provide a degree of protection against falling dirt.

NEMA 3—Enclosures are constructed for either indoor or outdoor use to provide protection to personnel against incidental contact with the enclosed equipment; to provide protection against windblown dust.

NEMA 3R—Enclosures are constructed for either indoor or outdoor use to provide protection to personnel against incidental contact with the enclosed equipment; to provide protection against falling dirt, rain, sleet, and snow.

SPACING AND DIMENSIONS OF LOCK-NUTS AND K.O.'S								
Diameter of Lock Nut "B"	Punch Diameter "C"	Nominal Conduit	Minimum Spacing of Knock-Outs "A" (SEE TABLE A)					
			1/2"	3/4"	1"	1 1/4"	1 1/2"	2"
1 1/8"	7/8"	1/2"	1 1/4"	1 7/16"	1 1/2"	1 11/16"	1 7/8"	2 1/8"
1 7/16"	1 1/8"	3/4"		1 9/16"	1 11/16"	1 7/8"	2"	2 5/16"
1 5/8"	1 3/8"	1"			1 3/4"	1 15/16"	2 1/8"	2 3/8"
2"	1 3/4"	1 1/4"				2 1/8"	2 5/16"	2 9/16"

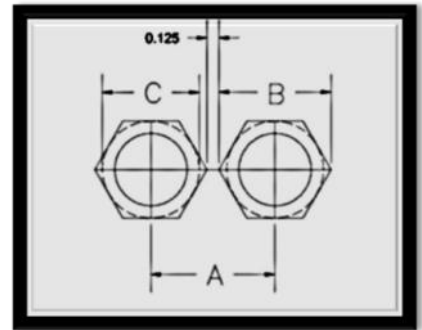


TABLE A

Conductor Table		
Wireway Size (inches)	Maximum Cable Size (AWG or MCM)	Allowable Cable Area (sq. in.)
2.5 x 2.5	2	1.2
4 x 4	4/0	3.2
4 x 6	4/0	4.8
6 x 6	500	7.2
8 x 8	500	12.8
10 x 10	1250	20.0
12 x 12	2000	28.8

Size and Number of conductors: No de-rating necessary when there are no more than 30 conductors and does not exceed 20% of any cross section (N.E.C. 362-4) (UL 870-6.1).

TYPE 1 SCREW COVER BOXES



**TYPE 1 SURFACE SCREW
COVER PULL BOXES**

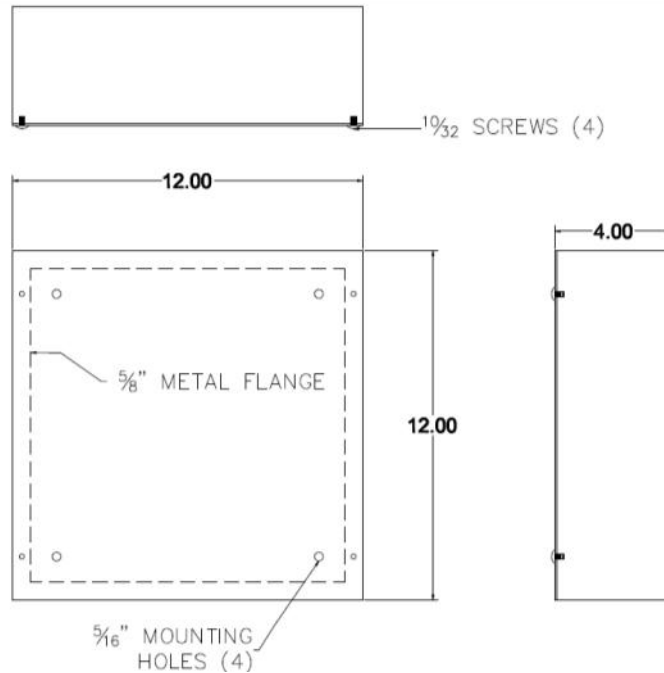
APPLICATION

Used as wiring boxes, junction boxes and pull boxes.

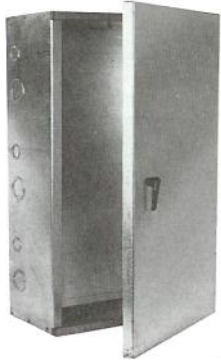
Enclosures are constructed for indoor use to provide protection to personnel against incidental contact with the enclosed equipment and to provide a degree of protection against falling dirt (UL50 5.1.7, 2007).

CONSTRUCTION

- Enclosures and covers are fabricated from galvanized steel.
- Covers secured to body with plated screws.
- Enclosures are available with or without knockouts or flush mounted covers.
- All enclosures are manufactured to UL50 specifications and bear their label.
- Special sizes are available, call for a quote.



TYPE 1 HINGE COVER BOXES



**TYPE 1 HINGE COVER BOX
WITH KNOCKOUTS AND
HANDLE**

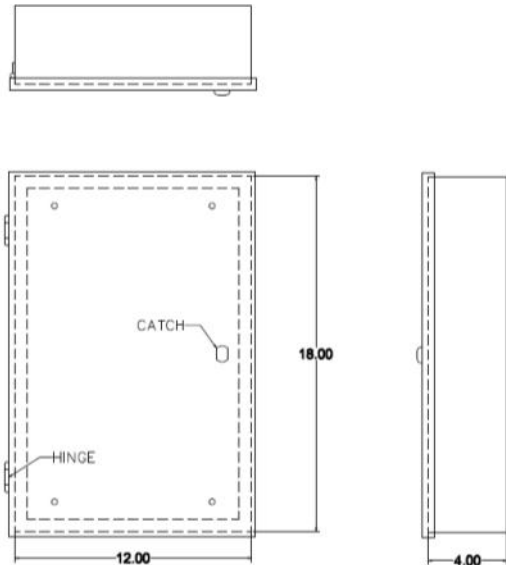
APPLICATION

Used as wiring boxes, junction boxes and pull boxes.

Enclosures are constructed for indoor use to provide protection to personnel against incidental contact with the enclosed equipment and to provide a degree of protection against falling dirt (UL50 5.1.7, 2007).

CONSTRUCTION

- Enclosures and covers are fabricated from galvanized steel.
- Enclosures are available with or without knockouts.
- All enclosures are manufactured to UL50 specifications and bear their label.
- Special sizes are available, call for a quote.
- Boxes are hinged along the long side unless specified.
- Plated butt hinges are standard.
- Please specify hardware listed on page 10.
- Specify with or without removable back panel.



Panel Table	
Catalog Number	Used With This Size Box
66BP	6 x 6
86BP	8 x 6
88BP	8 x 8
108BP	10 x 8
1010BP	10 x 10
128BP	12 x 8
1210BP	12 x 10
1212BP	12 x 12
1515BP	15 x 15
1616BP	16 x 16
1812BP	18 x 12
1818BP	18 x 18
2020BP	20 x 20
2418BP	24 x 18
2424BP	24 x 24
3030BP	30 x 30
3636BP	36 x 36

TYPE 1 HINGE COVER BOXES

Catalog Number	Height, Width, Depth (inches)	Standard Bundle	Weight Per Bundle Lbs.
040404HC	4 x 4 x 4	10	20
040606HC	6 x 6 x 4	10	33
040806HC	8 x 6 x 4	10	40
040808HC	8 x 8 x 4	5	25
041008HC	10 x 8 x 4	5	30
041010HC	10 x 10 x 4	5	33
041210HC	12 x 10 x 4	5	35
041212HC	12 x 12 x 4	5	43
041515HC	15 x 15 x 4	1	10
041616HC	16 x 16 x 4	1	10
041812HC	18 x 12 x 4	3	30
041818HC	18 x 18 x 4	2	34
042424HC	24 x 24 x 4	1	30
043030HC	30 x 30 x 4	1	40
060606HC	6 x 6 x 6	6	26
060808HC	8 x 8 x 6	3	18
061008HC	10 x 8 x 6	3	8
061010HC	10 x 10 x 6	3	25
061208HC	12 x 8 x 6	3	25
061210HC	12 x 10 x 6	3	11
061212HC	12 x 12 x 6	3	30
061515HC	15 x 15 x 6	1	15
061616HC	16 x 16 x 6	1	18
061812HC	18 x 12 x 6	2	30
061818HC	18 x 18 x 6	2	36
062020HC	20 x 20 x 6	1	16
062418HC	24 x 18 x 6	1	28
062424HC	24 x 24 x 6	1	35
063030HC	30 x 30 x 6	1	57
063636HC	36 x 36 x 6	1	77
081212HC	12 x 12 x 8	2	24
081812HC	18 x 12 x 8	1	18
081818HC	18 x 18 x 8	2	44
082020HC	20 x 20 x 8	1	45
082418HC	24 x 18 x 8	1	33
082424HC	24 x 24 x 8	1	40
083030HC	30 x 30 x 8	1	60
083636HC	36 x 36 x 8	1	100
101212HC	12 x 12 x 10	3	10
101818HC	18 x 18 x 10	1	24
102424HC	24 x 24 x 10	1	45
103030HC	30 x 30 x 10	1	62
103636HC	36 x 36 x 10	1	95
121212HC	12 x 12 x 12	2	15
121818HC	18 x 18 x 12	1	25
122424HC	24 x 24 x 12	1	50
123030HC	30 x 30 x 12	1	70
123636HC	36 x 36 x 12	1	124

Optional Hardware for Hinge Cover Boxes



FLUSH SLOT LATCH
Part #: 610L5N01



QTR. TURN KNOB
Part #: 610L5N03



LOCKING DISC TUMBLER
Part #: 15751



TEE HANDLE
Specify Locking or Non-locking
Part #: 15766



**PAD LOCKABLE HANDLE
WITH 3 POINT CATCH**
Part #: 37-5665X



HASP AND STAPLE
Part #: F2664

TYPE 1 HINGE COVER CUTOUT BOXES

APPLICATION

Used as wiring boxes, junction boxes and pull boxes.

Enclosures are constructed for indoor use to provide protection to personnel against incidental contact with the enclosed equipment and to provide a degree of protection against falling dirt (UL50 5.1.7).



CONSTRUCTION

- Enclosures and covers are fabricated from galvanized steel.
- Enclosures are available with or without knockouts.
- All enclosures are manufactured to UL50 specifications and bear their label.
- Cover is secured with formed hinges on one side and a dimple friction catch on the opposite side.
- Cover is furnished with a recessed pull ring.

Catalog Number	Height, Width, Depth (inches)	Standard Bundle	Weight Per Bundle Lbs.
034505HN	4.5* x 5 x 3	10	17
034509HN	4.5* x 9 x 3	10	25
030606HN	6 x 6 x 3	10	28
030609HN	6* x 9 x 3	10	30
040404HN	4 x 4 x 4	10	20
040606HN	6 x 6 x 4	10	33
040806HN	8 x 6 x 4	10	40
040808HN	8 x 8 x 4	5	25
041008HN	10 x 8 x 4	5	30
041010HN	10 x 10 x 4	5	33
041210HN	12 x 10 x 4	5	35
041212HN	12 x 12 x 4	5	43
041812HN	18 x 12 x 4	3	30
041818HN	18 x 18 x 4	2	34
060606HN	6 x 6 x 6	6	26
060808HN	8 x 8 x 6	3	18
061008HN	10 x 8 x 6	3	8
061010HN	10 x 10 x 6	3	25
061210HN	12 x 10 x 6	3	11
061212HN	12 x 12 x 6	3	30
061812HN	18 x 12 x 6	2	30
061818HN	18 x 18 x 6	2	36

* Hinged side

TYPE 1 SCREW COVER WIREWAY

APPLICATION

Houses runs of control and power cable.

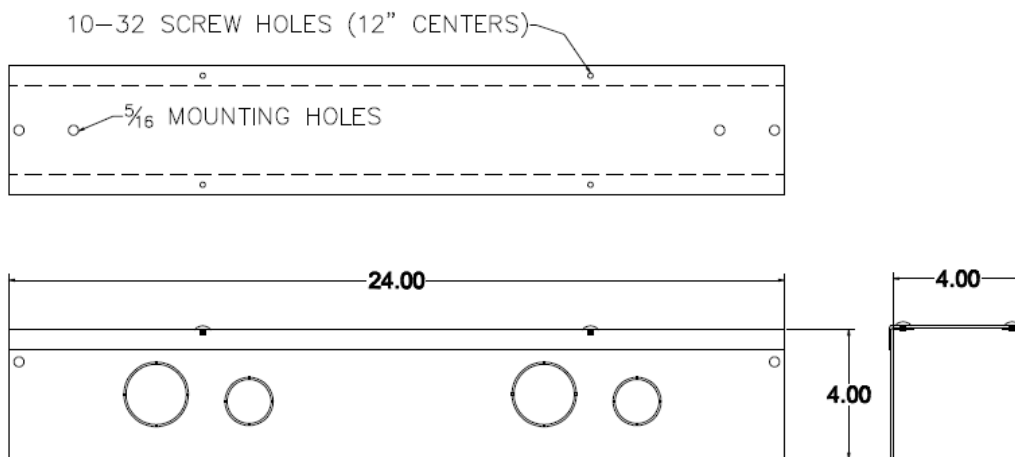
Used for cable and wire junction, distribution and termination.

CONSTRUCTION

- Wireway body and cover are fabricated from galvanized steel.
- Wireway body has mounting holes on back.
- Cover is secured to the body with plated screws.
- Flush and surface wireway covers are available.
- Lengths greater than 8' are furnished with a two piece overlapping cover.
- Variety of fittings which allows runs to change direction, junction and terminate.
- Universal connectors will facilitate connection to any other manufactures wireway.
- Wireway available with or without knockouts. Widths 10" or greater are furnished without knockouts.
- Hinge cover wireway available and is completely interchangeable with screw cover wireway.
- UL 870 Listed, NEMA Type 1.



Screw Cover Wireway with Knockouts




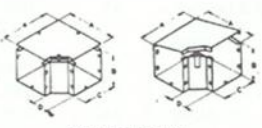
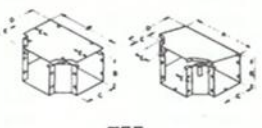



TYPE 1 SCREW COVER WIREWAY

Catalog Number	Size	Description	Wgt. Lbs.
252512TSNK	2 1/2 x 21/2 x 1'	Wireway	2.5
252524TSNK	2 1/2 x 21/2 x 2'	Wireway	5
252536TSNK	2 1/2 x 2 1/2 x 3'	Wireway	7.5
252548TSNK	2 1/2 x 2 1/2 x 4'	Wireway	10
252560TSNK	2 1/2 x 2 1/2 x 5'	Wireway	12.5
252572TSNK	2 1/2 x 2 1/2 x 6'	Wireway	15
2525120TSNK	2 1/2 x 2 1/2 x 10'	Wireway	25
2525EP	2 1/2 x 2 1/2'	End Plate	0.3
2525UC	2 1/2 x 2 1/2'	Connector	0.3
2525PA	2 1/2 x 2 1/2'	Panel Adapter	0.3
252545ELL	2 1/2 x 2 1/2-45	ELL	1.5
252590ELL	2 1/2 x 2 1/2-90	ELL	1.5
2525TEE	2 1/2 x 2 1/2'	TEE	2
2525X	2 1/2 x 2 1/2'	Cross	4
2525R	2 1/2 x 2 1/2'	Reducer	0.03
2525UH	Universal Drop	Hanger	1.5
4412TSNK	4 x 4 x 1'	Wireway	4
4424TSNK	4 x 4 x 2'	Wireway	8
4436TSNK	4 x 4 x 3'	Wireway	12
4448TSNK	4 x 4 x 4'	Wireway	16
4460TSNK	4 x 4 x 5'	Wireway	20
4472TSNK	4 x 4 x 6'	Wireway	24
4496TSNK	4 x 4 x 8'	Wireway	35
44120TSNK	4 x 4 x 10'	Wireway	40
44EP	4 x 4'	End Plate	0.5
44UC	4 x 4'	Connector	0.5
44PA	4 x 4'	Panel Adapter	6
4445ELL	4 x 4-45	ELL	3
4490ELL	4 x 4-90	ELL	3
44TEE	4 x 4'	TEE	4.5
44X	4 x 4'	Cross	9
44R	4 x 4'	Reducer	0.5
44UH	Universal Drop	Hanger	2
6612TSNK	6 x 6 x 1'	Wireway	6
6624TSNK	6 x 6 x 2'	Wireway	12
6636TSNK	6 x 6 x 3'	Wireway	18
6648TSNK	6 x 6 x 4'	Wireway	24
6660TSNK	6 x 6 x 5'	Wireway	30
6672TSNK	6 x 6 x 6'	Wireway	36
6696TSNK	6 x 6 x 8'	Wireway	48
66120TSNK	6 x 6 x 10'	Wireway	60
66EP	6 x 6	End Plate	1
66UC	6 x 6	Connector	1
66PA	6 x 6	Panel Adapter	1
6645ELL	6 x 6-45	ELL	5
6690ELL	6 x 6-90	ELL	5
66TEE	6 x 6	Tee	10.7
66X	6 x 6	Cross	21
66R	6 x 6	Reducer	1
66UH	Universal Drop	Hanger	5

Catalog Number	Size	Description	Wgt. Lbs.
8812TSNK	8 x 8 x 1'	Wireway	9
8824TSNK	8 x 8 x 2'	Wireway	18
8836TSNK	8 x 8 x 3'	Wireway	27
8848TSNK	8 x 8 x 4'	Wireway	36
8860TSNK	8 x 8 x 5'	Wireway	45
8872TSNK	8 x 8 x 6'	Wireway	54
8896TSNK	8 x 8 x 8'	Wireway	75
88120TSNK	8 x 8 x 10'	Wireway	90
88EP	8 x 8	End Plate	1.3
88UC	8 x 8	Connector	1.3
88PA	8 x 8	Panel Adapter	1
8845ELL	8 x 8 -45	ELL	7
8890ELL	8 x 8 -90	ELL	7
88TEE	8 x 8	Tee	21
88X	8 x 8	Cross	42
88R	8 x 8	Reducer	1.3
88UH	Universal Drop	Hanger	8
101012TSNK	10 x 10 x 1'	Wireway	12
101024TSNK	10 x 10 x 2'	Wireway	24
101036TSNK	10 x 10 x 3'	Wireway	36
101048TSNK	10 x 10 x 4'	Wireway	48
101060TSNK	10 x 10 x 5'	Wireway	60
101072TSNK	10 x 10 x 6'	Wireway	72
101096TSNK	10 x 10 x 8'	Wireway	115
1010120TSNK	10 x 10 x 10'	Wireway	120
1010EP	10 x 10	End Plate	2
1010UC	10 x 10	Connector	2
1010PA	10 x 10	Panel Adapter	3
101045ELL	10 x 10 -45	ELL	10
101090ELL	10 x 10 -90	ELL	10
1010TEE	10 x 10	Tee	40
1010X	10 x 10	Cross	42
1010R	10 x 10	Reducer	1.5
1010UH	Universal Drop	Hanger	6
121212TSNK	12 x 12 x 1'	Wireway	15
121224TSNK	12 x 12 x 2'	Wireway	30
121236TSNK	12 x 12 x 3'	Wireway	45
121248TSNK	12 x 12 x 4'	Wireway	60
121260TSNK	12 x 12 x 5'	Wireway	75
121272TSNK	12 x 12 x 6'	Wireway	90
121296TSNK	12 x 12 x 8'	Wireway	125
1212120TSNK	12 x 12 x 10'	Wireway	150
1212EP	12 x 12	End Plate	2.5
1212UC	12 x 12	Connector	2.5
1212PA	12 x 12	Panel Adapter	3.5
121245ELL	12 x 12 -45	ELL	15
121290ELL	12 x 12 -90	ELL	15
1212TEE	12 x 12	Tee	48
1212X	12 x 12	Cross	58
1212R	12 x 12	Reducer	2

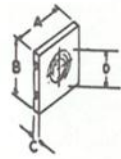
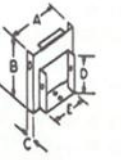

SCREW COVER WIREWAY

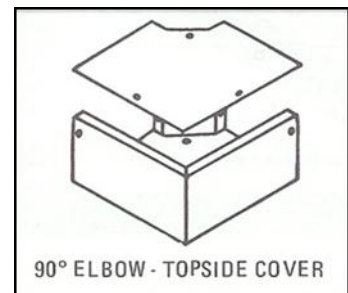
FITTINGS FOR SCREW COVER AND HINGED COVER WIREWAY

	Size	Catalog Number	Dimensions				
			A	B	C	D	E
 45° ELBOW	2 1/2 x 2 1/2	252545ELL	2 1/2	2 1/2	9 1/4	3	7 1/4
	4 x 4	4445ELL	4	4	7 3/8	6 1/8	5 1/8
	6 x 6	6645ELL	6	6	11	8 1/8	6 1/2
	8 x 8	8845ELL	8	8	14 3/4	10 1/8	8 1/2
	10 x 10	101045ELL	10	10	20	13 1/8	10 1/2
	12 x 12	121245ELL	12	12	17 3/4	15 1/8	7
 90° ELBOW	2 1/2 x 2 1/2	252590ELL	5 1/2	2 1/2	2 1/2	3	
	4 x 4	4490ELL	7	4	4	3	
	6 x 6	6690ELL	10 1/2	6	6	4 1/2	
	8 x 8	8890ELL	14	8	8	5 1/2	
	10 x 10	101090ELL	13	10	10	5 1/2	
	12 x 12	121290ELL	15	12	12	5 1/2	
 TEE	2 1/2 x 2 1/2	2525TEE	8 1/2	2 1/2	2 1/2	5 1/2	3
	4 x 4	44TEE	10	4	4	7	4 1/2
	6 x 6	66TEE	15	6	6	10 1/2	3
	8 x 8	88TEE	20	8	8	14	6
	10 x 10	1010TEE	30	10	10	20 1/8	10
	12 x 12	1212TEE	36	12	12	24 1/8	12
 CROSS	2 1/2 x 2 1/2	2525X	8 1/2	2 1/2	2 1/2	3	
	4 x 4	44X	10	4	4	2 1/2	
	6 x 6	66X	15	6	6	4	
	8 x 8	88X	20	8	8	6	
	10 x 10	1010X	29 3/4	10	10	10	
	12 x 12	1212X	36	12	12	12	
 ADAPTER	2 1/2 x 2 1/2	2525PA	2 1/2	2 1/2	5/8		
	4 x 4	44PA	4	4	5/8		
	6 x 6	66PA	6	6	5/8		
	8 x 8	88PA	8	8	5/8		
	10 x 10	1010PA	10	9 7/8	23/32		
	12 x 12	1212PA	12	11 7/8	23/32		
 "U" CONNECTION	2 1/2 x 2 1/2	2525UC	2 1/2	2 1/2	1 3/4		
	4 x 4	44UC	4	5	1 3/4		
	6 x 6	66UC	6	6	1 3/4		
	8 x 8	88UC	8	8	1 3/4		
	10 x 10	1010UC	9 7/8	10	1 3/4		
	12 x 12	1212UC	11 7/8	12	1 3/4		

SCREW COVER WIREWAY

FITTINGS FOR SCREW COVER AND HINGED COVER WIREWAY

	Size	Catalog Number	Dimensions				
			A	B	C	D	E
 ENDWALL	2 1/2 x 2 1/2	2525EP	2 1/2	2 1/2	5/8	7/8 & 1 1/8	1 1/4
	4 x 4	44EP	4	4	5/8	7/8 & 1 1/8	2
	6 x 6	66P	6	6	5/8	7/8 & 1 1/8	3
	8 x 8	88EP	8	8	5/8		
	10 x 10	1010EP	10	10	1/16	5/8	
	12 x 12	1212EP	12	12	1/16	5/8	
 OFFSET REDUCER	2 1/2 x 2 1/2	2525R					
	4 x 4	44R	4	4	5/8	2 1/2	2 1/2
	6 x 6	66R	6	6	5/8	4	4
	8 x 8	88R	8	8	5/8	6	6
	10 x 10	1010R	10	10	5/8	7 3/8	8
	12 x 12	1212R	12	12	5/8	9 3/4	10
 UNIVERSAL HANGER	4 x 4	44UH	2 1/2	3 1/4	11 1/2	4 1/4	
	6 x 6	66UH	2 1/2	5 1/4	15	4 1/4	
	8 x 8	88UH	2 1/2	7 1/4	17	4 1/4	



TYPE NEMA 3 WEATHER PROOF ENCLOSURES

APPLICATION

Used as wiring boxes, junction boxes, and pull boxes.

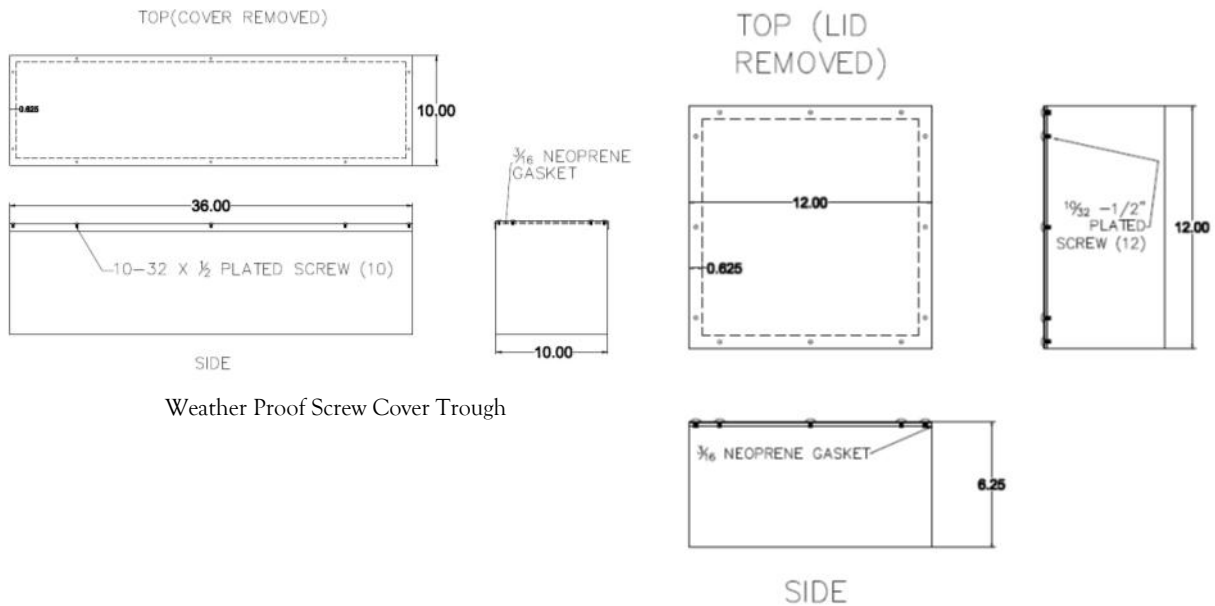
Type 3 enclosures are constructed for either indoor or outdoor use to provide protection to personnel against incidental contact with the enclosed equipment; to provide protection against falling dirt, rain, sleet, snow, and windblown dust; and will be undamaged by the external formation of ice on the enclosure (UL 50 5.1.7, 2007).



Weather Proof Screw Cover Trough

CONSTRUCTION

- Enclosure and cover are fabricated from galvanized steel.
- All continuous welded seams are finished smooth.
- Enclosure standard without knockouts or mounting holes.
- Cover is equipped with oil and water resistant gasket.



TYPE NEMA 3 WEATHER PROOF BOXES AND TROUGH

Weather Proof Seam Welded Boxes

Catalog Number	Height, Width, Depth (inches)	Weight
04040WP	4 x 4 x 4	1
04060WP	6 x 6 x 4	3.5
040608WP	6 x 8 x 4	4
040808WP	8 x 8 x 4	5
041008WP	10 x 8 x 4	6
041010WP	10 x 10 x 4	6.5
041208WP	12 x 8 x 4	7
041210WP	12 x 10 x 4	7.5
041212WP	12 x 12 x 4	8.6
041515WP	15 x 15 x 4	10
041812WP	18 x 12 x 4	10
041818WP	18 x 18 x 4	11
060606WP	6 x 6 x 6	4.5
060608WP	6 x 8 x 6	2.6
060808WP	8 x 8 x 6	9
061010WP	10 x 10 x 6	8.5
061206WP	12 x 6 x 6	5
061208WP	12 x 8 x 6	5
061210WP	12 x 10 x 6	6
061212WP	12 x 12 x 6	10
061515WP	15 x 15 x 6	15
061616WP	16 x 16 x 6	16
061812WP	18 x 12 x 6	15
061818WP	18 x 18 x 6	18
062020WP	20 x 20 x 6	19
062424WP	24 x 24 x 6	35
063030WP	30 x 30 x 6	57
063636WP	36 x 36 x 6	77
080808WP	8 x 8 x 8	9
081212WP	12 x 12 x 8	12
081818WP	18 x 18 x 8	22
082424WP	24 x 24 x 8	40
083030WP	30 x 30 x 8	60
083636WP	36 x 36 x 8	100
101212WP	12 x 12 x 10	3.5
101818WP	18 x 18 x 10	24
102424WP	24 x 24 x 10	45
103030WP	30 x 30 x 10	62
103636WP	36 x 36 x 10	95
122424WP	24 x 24 x 12	50
123030WP	30 x 30 x 12	70
123636WP	36 x 36 x 12	124

Weather Proof Seam Trough

Catalog Number	Height, Width, Depth (inches)	Weight
120404TWP	4 x 4 x 12	4
240404TWP	4 x 4 x 24	8
360404TWP	4 x 4 x 36	12
480404TWP	4 x 4 x 48	16
600404TWP	4 x 4 x 60	20
720404TWP	4 x 4 x 72	24
120606TWP	6 x 6 x 12	6
240606TWP	6 x 6 x 24	12
360606TWP	6 x 6 x 36	18
480606TWP	6 x 6 x 48	24
600606TWP	6 x 6 x 60	30
720606TWP	6 x 6 x 72	36
120808TWP	8 x 8 x 12	18
240808TWP	8 x 8 x 24	27
360808TWP	8 x 8 x 36	36
480808TWP	8 x 8 x 48	36
600808TWP	8 x 8 x 60	45
720808TWP	8 x 8 x 72	54
1200808TWP	8 x 8 x 120	90
121010TWP	10 x 10 x 12	12
241010TWP	10 x 10 x 24	24
361010TWP	10 x 10 x 36	36
481010TWP	10 x 10 x 48	48
601010TWP	10 x 10 x 60	60
721010TWP	10 x 10 x 72	72
961010TWP	10 x 10 x 96	84
1201010TWP	10 x 10 x 120	120
121212TWP	12 x 12 x 12	15
241212TWP	12 x 12 x 24	30
361212TWP	12 x 12 x 36	45
481212TWP	12 x 12 x 48	60
601212TWP	12 x 12 x 60	75
721212TWP	12 x 12 x 72	90
961212TWP	12 x 12 x 96	120
1201212TWP	12 x 12 x 120	150

RAIN TIGHT ENCLOSURES

APPLICATION

Used as wiring boxes, junction boxes, pull boxes and wireway.

Type 3R enclosures are constructed for either indoor or outdoor use to provide protection to personnel against incidental contact with the enclosed equipment; to provide protection against falling dirt, rain, sleet, and snow; and will be undamaged by the external formation of ice on the enclosure (UL50 5.1.7, 2007).

CONSTRUCTION

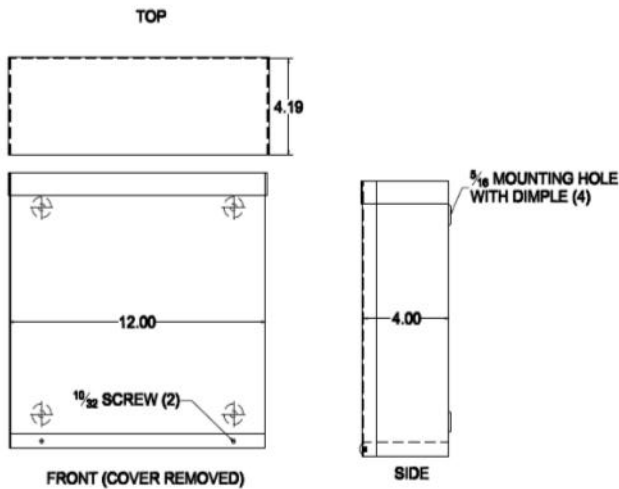
- Enclosure and cover are fabricated from galvanized steel.
- Enclosure body has embossed mounting holes on the back.
- Cover is held secure by sliding it under the top end flange and securing it with plated screws on the bottom end flange.



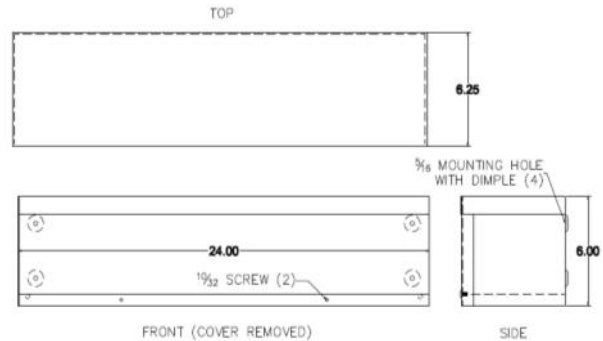
Type 3R Rain Tight Screw Cover Box



Type 3R Rain Tight Screw Cover Trough



NEMA 3R Rain Tight Box



NEMA 3R Rain Tight Trough

RAIN TIGHT ENCLOSURES

RAIN-TIGHT SCREW COVER BOXES

Catalog Number	Height, Width, Depth (inches)	Weight
040404RT	4 x 4 x 4	20
040606RT	6 x 6 x 4	33
040806RT	8 x 6 x 4	40
040808RT	8 x 8 x 4	25
041008RT	10 x 8 x 4	30
041010RT	10 x 10 x 4	33
041210RT	12 x 10 x 4	35
041212RT	12 x 12 x 4	43
060606RT	6 x 6 x 6	26
060808RT	8 x 8 x 6	18
061010RT	10 x 10 x 6	25
061210RT	12 x 10 x 6	25
061212RT	12 x 12 x 6	30
061812RT	18 x 12 x 6	30
061818RT	18 x 18 x 6	36
062418RT	24 x 18 x 6	28
062424RT	24 x 24 x 6	35
063030RT	30 x 30 x 6	57
081818RT	18 x 18 x 8	44
082418RT	24 x 18 x 8	33
082424RT	24 x 24 x 8	40
083636RT	36 x 36 x 8	100
102418RT	24 x 18 x 10	40
102424RT	24 x 24 x 10	45
103018RT	30 x 18 x 10	48
103624RT	36 x 24 x 10	48
122424RT	24 x 24 x 12	50
123030RT	30 x 30 x 12	70
123624RT	36 x 24 x 12	80
123636RT	36 x 36 x 12	124

RAIN-TIGHT SCREW COVER TROUGH

Catalog Number	Height, Width, Depth (inches)	Weight
120404RTT	4 x 4 x 12	4
240404RTT	4 x 4 x 24	8
360404RTT	4 x 4 x 36	12
480404RTT	4 x 4 x 48	16
600404RTT	4 x 4 x 60	20
720404RTT	4 x 4 x 72	24
960404RTT	4 x 4 x 96	35
120606RTT	6 x 6 x 12	6
240606RTT	6 x 6 x 24	12
360606RTT	6 x 6 x 36	18
480606RTT	6 x 6 x 48	24
600606RTT	6 x 6 x 60	30
720606RTT	6 x 6 x 72	36
960606RTT	6 x 6 x 96	55
1200606RTT	6 x 6 x 120	60
120808RTT	8 x 8 x 12	9
240808RTT	8 x 8 x 24	18
360808RTT	8 x 8 x 36	27
480808RTT	8 x 8 x 48	36
600808RTT	8 x 8 x 60	45
720808RTT	8 x 8 x 72	54
960808RTT	8 x 8 x 96	75
1200808RTT	8 x 8 x 120	90
121010RTT	10 x 10 x 12	12
241010RTT	10 x 10 x 24	24
361010RTT	10 x 10 x 36	36
481010RTT	10 x 10 x 48	48
601010RTT	10 x 10 x 60	60
721010RTT	10 x 10 x 72	72
961010RTT	10 x 10 x 96	84
1201010RTT	10 x 10 x 120	120
121212RTT	12 x 12 x 12	15
241212RTT	12 x 12 x 24	30
361212RTT	12 x 12 x 36	45
481212RTT	12 x 12 x 48	60
601212RTT	12 x 12 x 60	75
721212RTT	12 x 12 x 72	90
961212RTT	12 x 12 x 96	120
1201212RTT	12 x 12 x 120	150

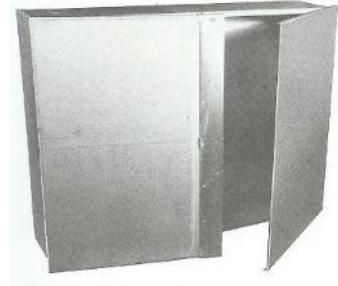
CURRENT TRANSFORMER CABINETS

APPLICATION

Designed to house current transformers.

CONSTRUCTION TYPE NEMA 1

- Enclosure and doors are fabricated from galvanized steel.
- Enclosure body furnished with mounting holes.
- Single or double door construction.
- Doors furnished with wing nuts and utility sealing hole.



Type 1 Double Door Current Transformer (CT) Cabinet

CONSTRUCTION TYPE NEMA 3R

- Enclosure and doors are fabricated from galvanized steel.
- Enclosure body furnished with mounting feet along top and bottom.
- Single or double door construction.
- Overlapping doors are furnished with pad-lockable 3pt. catch handle.
- 3/8 x 16 mounting studs furnished on enclosure body for current transformer mounting equipment.
- Top mounted drip shield protects against falling rain, sleet and external ice formation.
- Stands for pad mounting available.

Standard Current Transformer Cabinets	
ITEM #	SIZE & TYPE
102424CT	24 x 24 x 10 Single Door
103024CT	30 x 24 x 10 Single Door
103624CT	36 x 24 x 10 Single Door
103030CT	30 x 30 x 10 Double Door
103630CT	36 x 30 x 10 Double Door
103636CT	36 x 36 x 10 Double Door

CURRENT TRANSFORMER CABINETS

UTILITY AND SIZE TABLE

Current Transformer Cabinets can be fabricated in special sizes and furnished with a variety of hardware. Contact factory for special requirements.

PECO Cabinets

CURRENT TRANSFORMER CABINETS (CT) CANIBETS INDOOR		
CATALOG #	SIZE (H"xW"xD")	WEIGHT
101824CT	18 x 24 x 10 SINGLE DOOR 14 GA	37
102432CT	24x 32 x 10 DOUBLE DOOR 14 GA	65
103232CT	32 x 32 x 10 DOUBLE DOOR 14 GA	75
103242CT	32 x 42 x 10 DOUBLE DOOR 14 GA	175
124254CT	42 x 54 x 12 DOUBLE DOOR 14 GA	142

NEMA 3R CT CABINETS OUTDOOR		
CATALOG #	SIZE (H"xW"xD")	WEIGHT
182818N3R	28 x 18 x 15 SINGLE DOOR 14 GA	50
153530N3R	35 x 30 x 15 DOUBLE DOOR 14 GA	90
153540N3R	35 x 40 x 15 DOUBLE DOOR 14GA	103
154232N3R	42 x 32 x 15 DOUBLE DOOR 14 GA	120
154254N3R	42 x 54 x 15 DOUBLE DOOR 14 GA	184

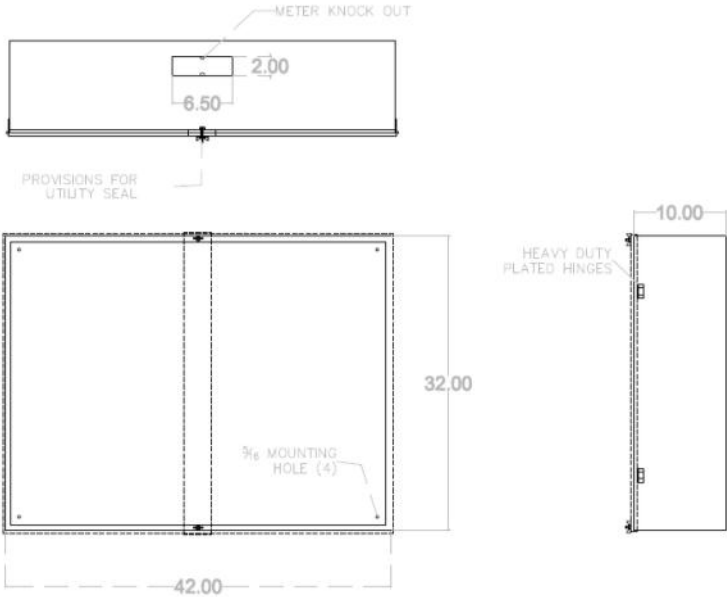
PP&L Cabinets.

PP&L CT CABINETS NEMA-1 (INDOOR)		
CATALOG #	SIZE (H"xW"xD")	WEIGHT
123636CT	36" x 36" x 12	125
124848CT	48" x 48" x 12"	156
127248CT	72" x 48" x 12"	181

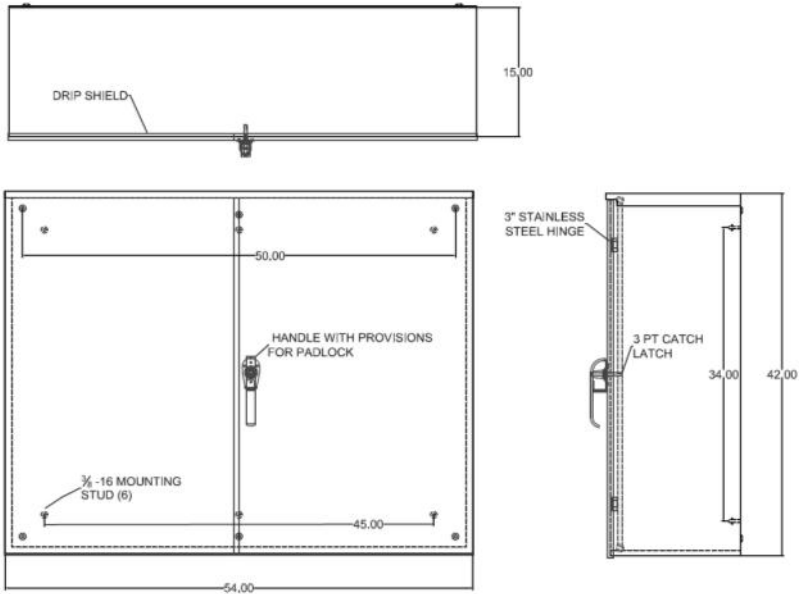
PP&L CT CABINETS NEMA 3R (OUTDOOR)		
CATALOG #	SIZE (H"xW"xD")	WEIGHT
123636N3R	36" x 36" x 12"	131
124848N3R	48" x 48"x 12"	162
127248N3R	72" x 48"x 12"	187

All Dimensions are Height x Width x Depth.

CURRENT TRANSFORMER CABINETS



Type 1 Indoor CT Cabinet



Type 3R Outdoor CT Cabinet

www.ksmetalenclosures.com



www.ksmetalenclosures.com

K & S METAL ENCLOSURES

873 EAST BALTIMORE PIKE #451
KENNETT SQUARE , PA 19348

Phone: 610-998-1370

Fax: 610-998-1379

www.ksmetalenclosures.com

